

Success Story

BellaDati Analytics IoT Framework for Smart Buildings



Organization: Korean Telecom

Location: South Korea

Website: kt.com/eng

Industry: Telecommunication

- KT, founded 1981, is South Korean integrated wired/wireless telecommunication service provider
- KT controls the largest portion of the South Korean local telephone and high-speed Internet business
- 18.8 billions revenue in 2010
- 31,155 employees (2010)

Notable data sources:



BellaDati deployment:
OnPremise

Business Situation

KT has been involved in the Jeju Smart Place project led by Korea's Ministry of Knowledge Economy which is being pursued for the purpose of testing and developing Smart Grid business models. The aim of the project is to provide an integrated energy management service and achieve the means for efficient energy usage by adopting renewable energy sources and energy storage devices. The project is being executed by the KT Consortium, which is composed of KT and 14 other companies, including Samsung SDI, Hyosung, Samsung Electronics, and 4 contractors, with the focus being to conduct demonstration tests on electric power-communication convergence business models.

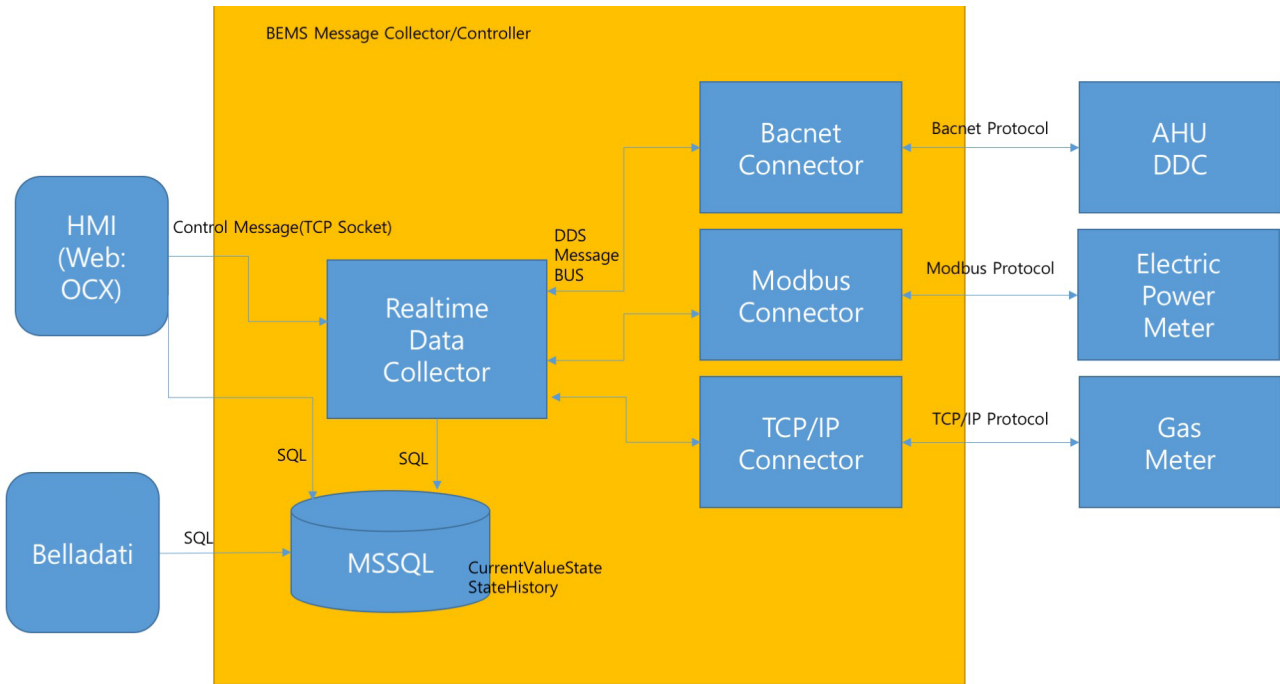
Challenges

Korean Telecom leads initiative of Smart Building Control system, which identifies energy usage and cost flow in the buildings and provides sophisticated system for energy consumption optimization and future prediction. It was obvious that such challenging project cannot succeed without a reliable analytical and reporting solution, capable of processing massive amount of data, generated by built-in smart devices.

Solution

Korean Telecom therefore chose BellaDati to supplement its Integrated Control Center and provide energy consumption oriented monitoring and prediction for end users. BellaDati server and predefined reports are now shipped with each KT's Smart Building Control system.

Solution Architecture



Example of Dashboard

